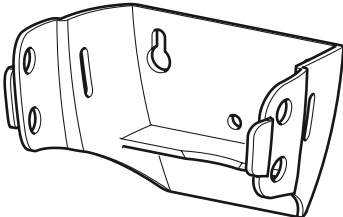
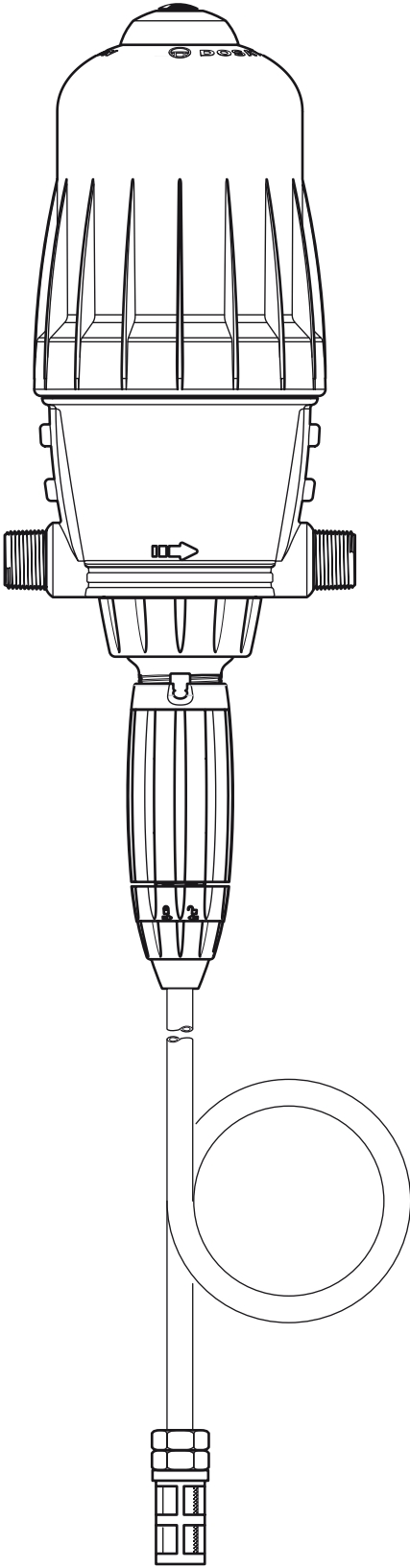


# D3RE2

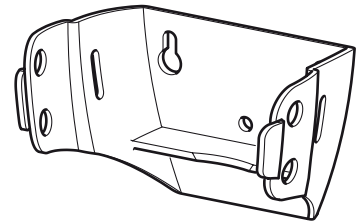
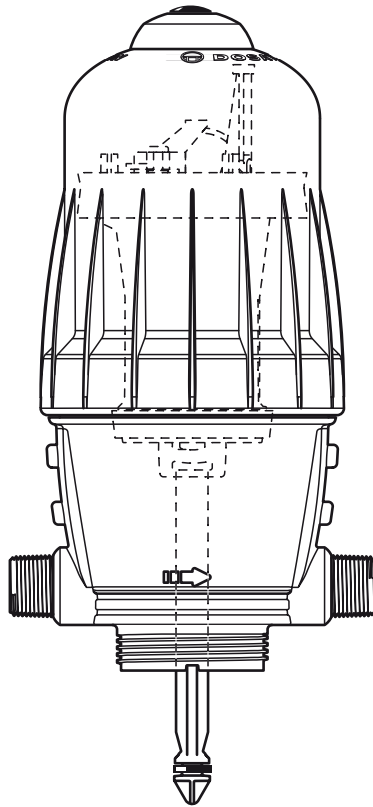
3 m<sup>3</sup>/h - 0.2 - 2%  
14 GPM - 1:500 - 1:50  
0.3 - 6 bar  
4.3 - 85 psi



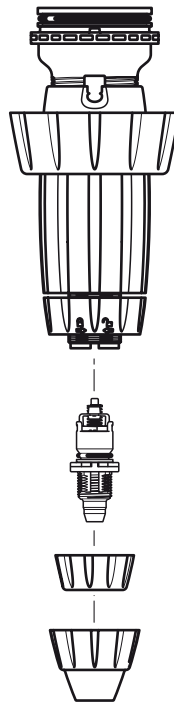
# D3RE2

3 m<sup>3</sup>/h - 0.2 - 2%  
14 GPM - 1:500 - 1:50  
0.3 - 6 bar  
4.3 - 85 psi

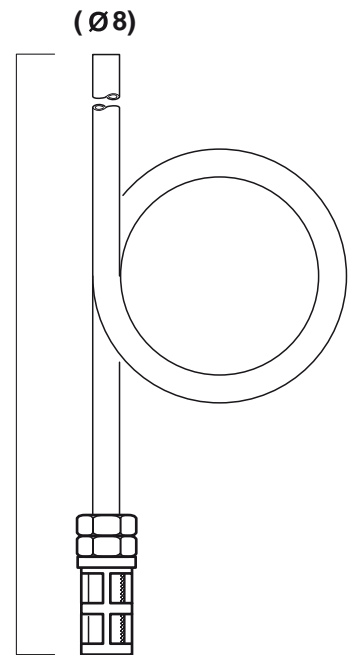
**C+M**



**D**

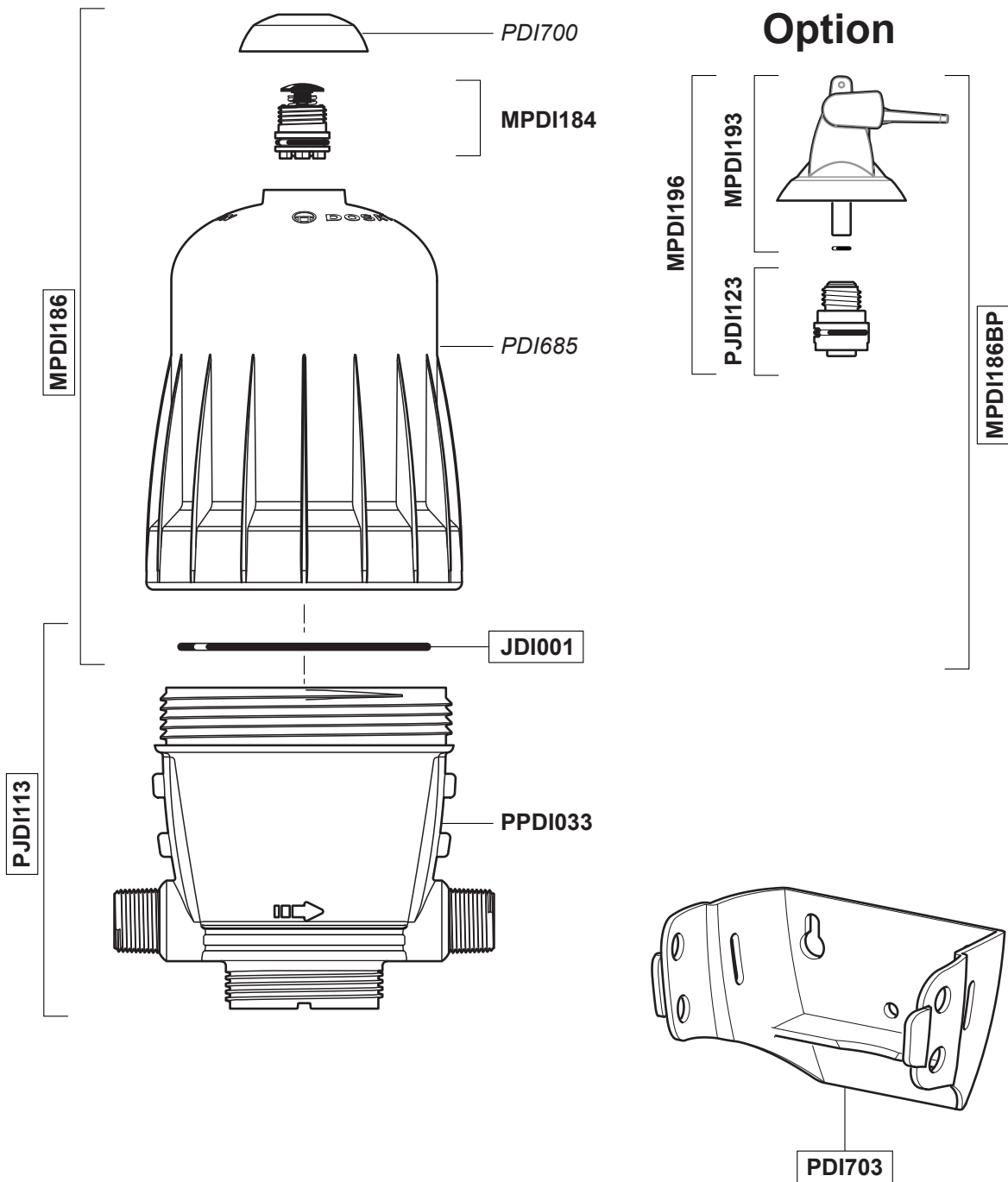


**A**



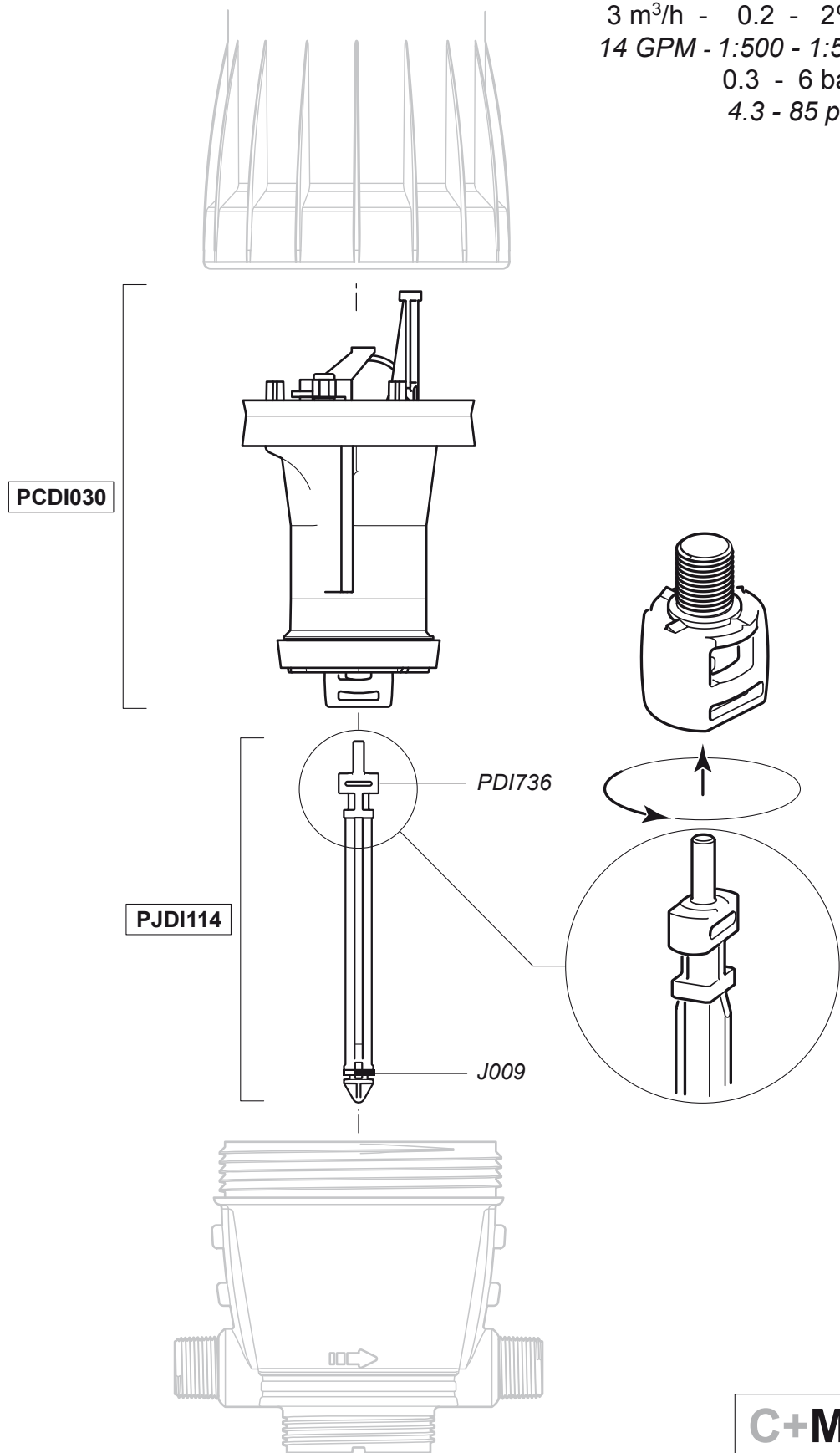
# D3RE2

3 m<sup>3</sup>/h - 0.2 - 2%  
 14 GPM - 1:500 - 1:50  
 0.3 - 6 bar  
 4.3 - 85 psi



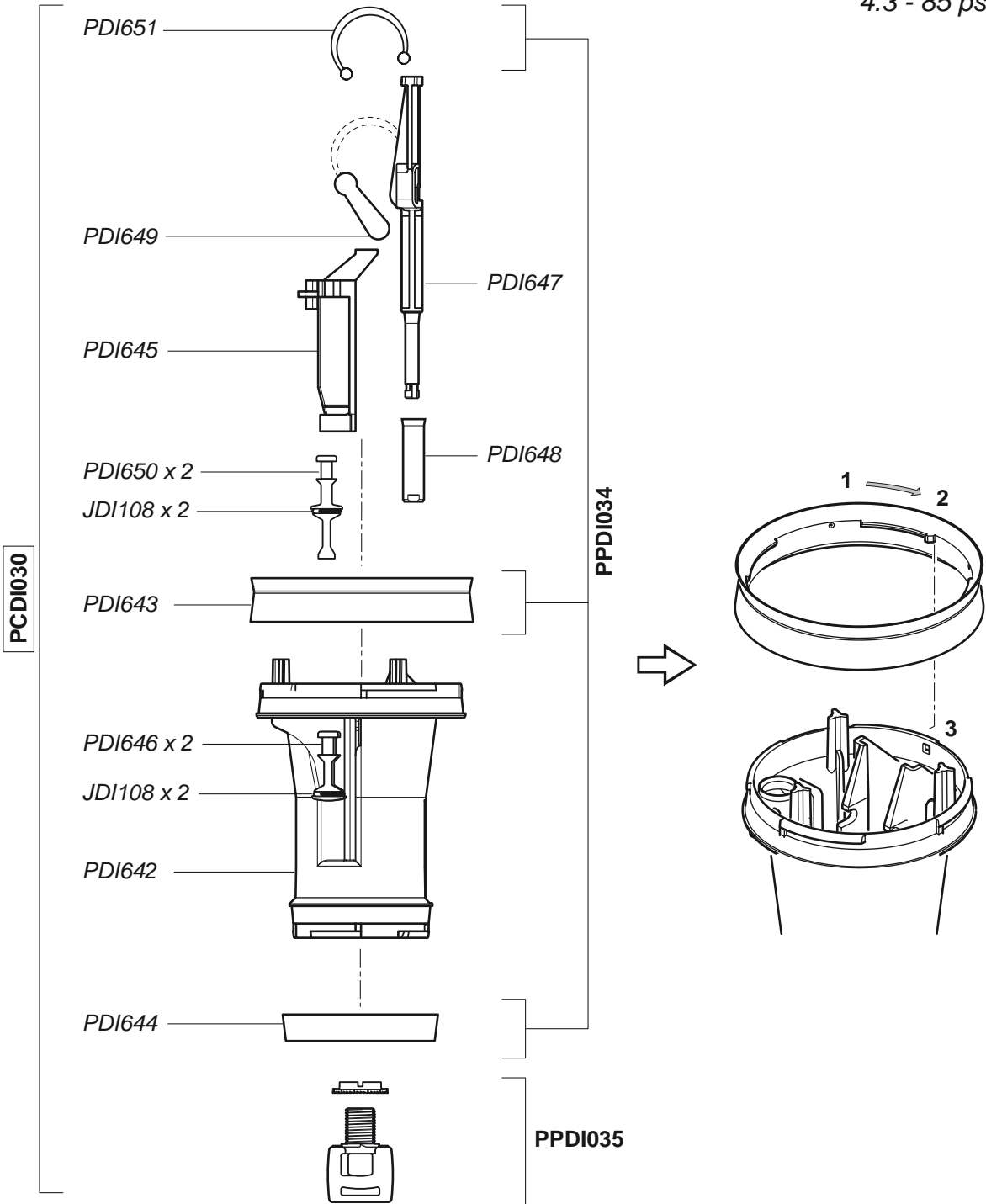
# D3RE2

3 m<sup>3</sup>/h - 0.2 - 2%  
14 GPM - 1:500 - 1:50  
0.3 - 6 bar  
4.3 - 85 psi



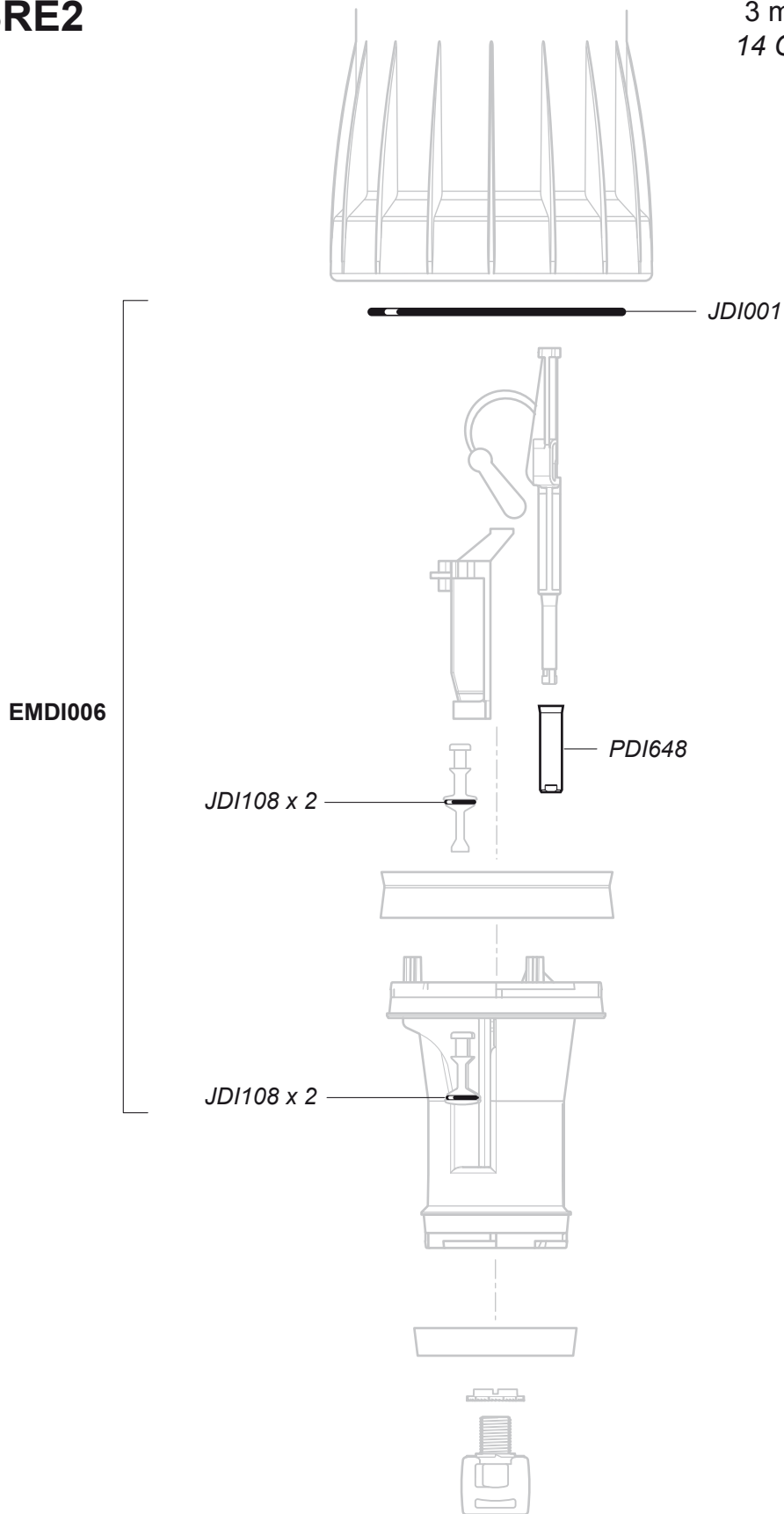
# D3RE2

3 m<sup>3</sup>/h - 0.2 - 2%  
 14 GPM - 1:500 - 1:50  
 0.3 - 6 bar  
 4.3 - 85 psi



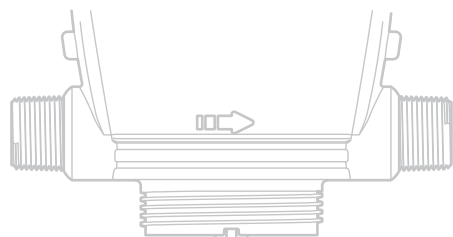
# D3RE2

3 m<sup>3</sup>/h - 0.2 - 2%  
14 GPM - 1:500 - 1:50  
0.3 - 6 bar  
4.3 - 85 psi

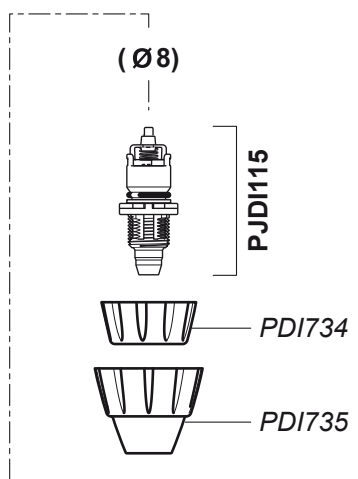
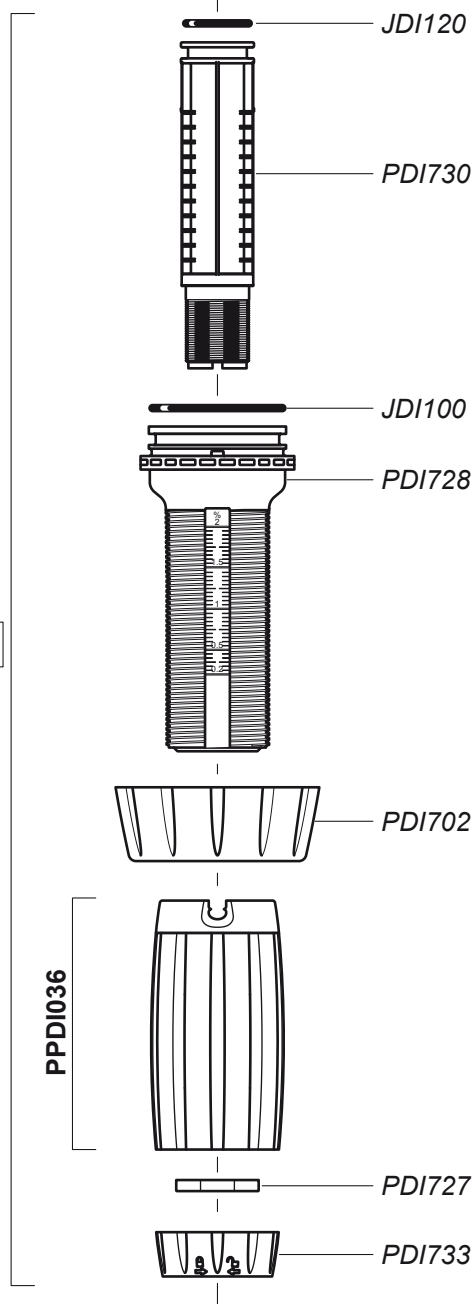


# D3RE2

3 m<sup>3</sup>/h - 0.2 - 2%  
 14 GPM - 1:500 - 1:50  
 0.3 - 6 bar  
 4.3 - 85 psi



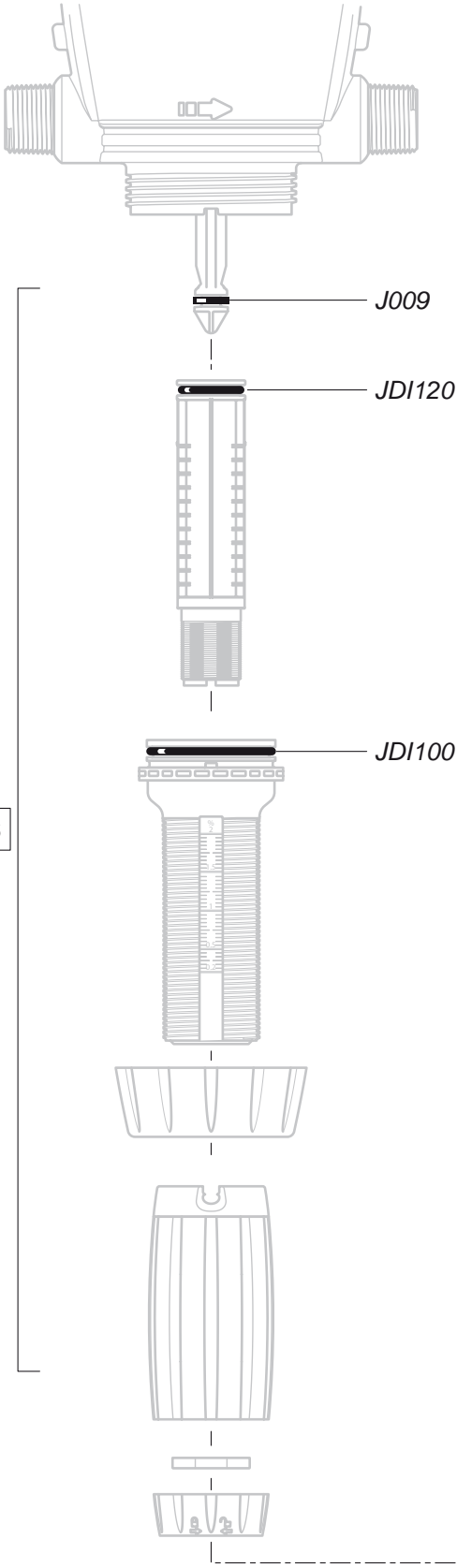
**CDDI074**



**D**

# D3RE2

3 m<sup>3</sup>/h - 0.2 - 2%  
14 GPM - 1:500 - 1:50  
0.3 - 6 bar  
4.3 - 85 psi



© DOSATRON INTERNATIONAL S.A.S. 2008  
D3RE2/1108/D8

D



# D3RE2

3 m<sup>3</sup>/h - 0.2 - 2%  
14 GPM - 1:500 - 1:50  
0.3 - 6 bar  
4.3 - 85 psi

