

**Receiver**

 Society  
 Reference  
 Address  
 Phone  
 Fax  
 E-mail

**From**

 DAB Pumpen GmbH  
 Germes, Peter  
 Tackweg 11  
 02151/8213612  
 02151/8213636  
 peter.germes@dw.tgroup.com

**Item n° :**

60152306.

**Model :**

NOVA UP 600 M-A

**Pump data**

 Free passage : 10 mm  
 Pressure rating :  
 Min. fluid temperature : 0 °C  
 Max. fluid temperature : 35 °C  
 Max. Ambient temperature : 40 °C

**Requested data**

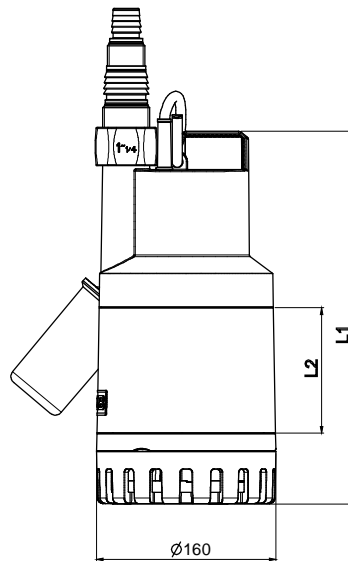
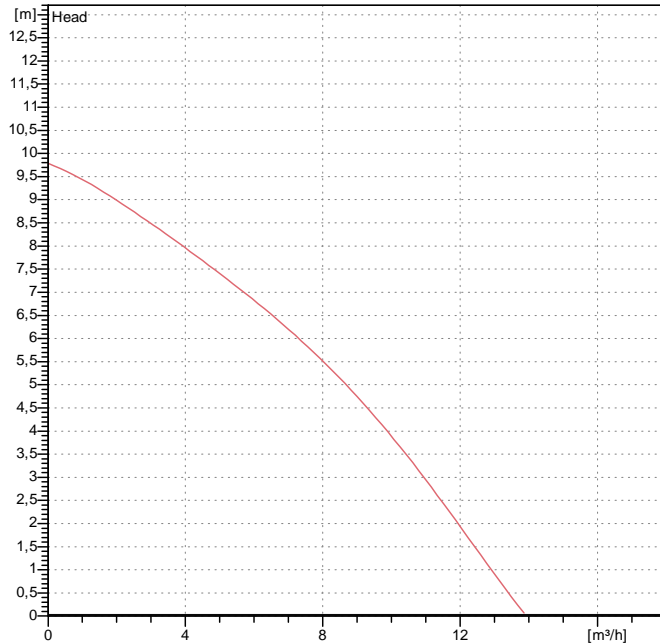
 Flow : 0 m³/h  
 Head : 0 m  
 Fluid : Water  
 Fluid Temperature : 20 °C  
 Density : 0,99819 kg/dm³  
 Kinematic viscosity : 1,0004 mm²/s  
 Vapor pressure : 2,2045 kPa

**Hydraulic data (duty point)**

 Flow :  
 Head :

**Materials**

 Pump body : Technopolymer  
 Impeller : Technopolymer  
 OR ring : NBR  
 Motor top body : Stainless Steel AISI 304  
 Rotor shaft : AISI 416 X12 CrS 13 UNI EN 10088-1  
 V-RING : NBR  
 Suction strainer : Technopolymer

**Curve tolerance according to ISO 9906**

**Motor data**

 Motor brand : DAB  
 Nominal power P2 : 0,52 kW  
 Rated speed : 2850 1/min  
 Rated voltage : 1~ 220-240 V 50 Hz  
 Nominal current : 3,5 A  
 Degree of protection : IP68

**Weight :** 7,3 kg

**Dimensions in mm**

Dimension	Value				
L1	332				
L2	111,6				

**Pump connection**

 Suction side : /  
 Discharge side : 1 " 1/4 G / --



# PERFORMANCE CURVES

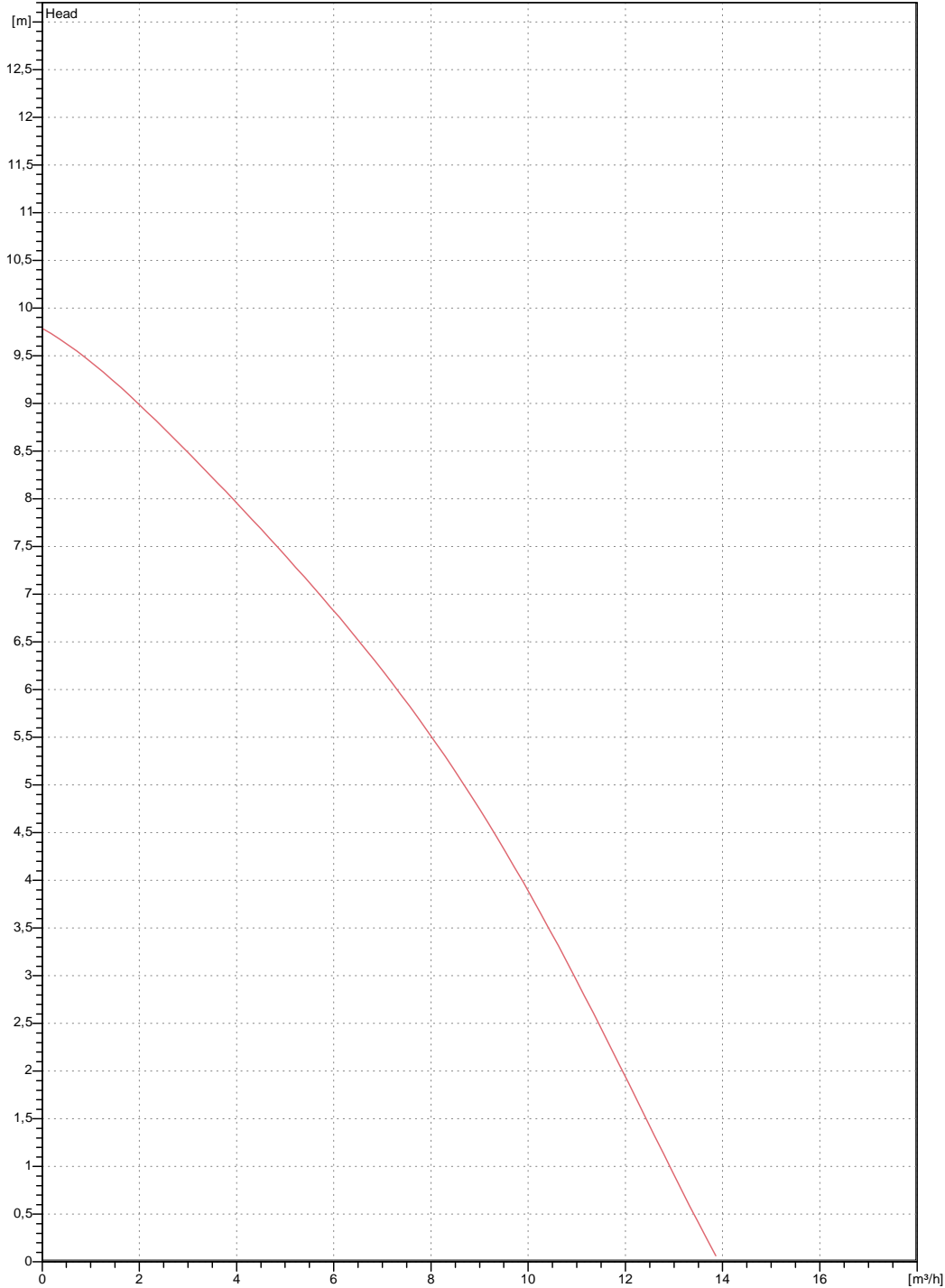
2016-09-07

Page 2 / 3

DAB PUMPS S.p.A.  
Via Marco Polo, 14 - 35035 Mestrino (PD), Italy  
Tel. +39 049 5125000 - Fax +39 049 5125950  
www.dabpumps.com

	<b>Receiver</b>	<b>From</b>
Society Reference Address Phone Fax E-mail		DAB Pumpen GmbH Germes, Peter Tackweg 11 02151/8213612 02151/8213636 peter.germes@dwgroup.com

**NOVA UP 600 M-A**  
Curve tolerance according to ISO 9906



Hydraulic data (duty point)

Suction side :	Discharge side : 1 " 1/4 G --	Flow : 0 m³/h	Head : 0 m	Rated speed : 2850 1/min
Project	Project ID	Created by	Created on <b>2016-09-07</b>	

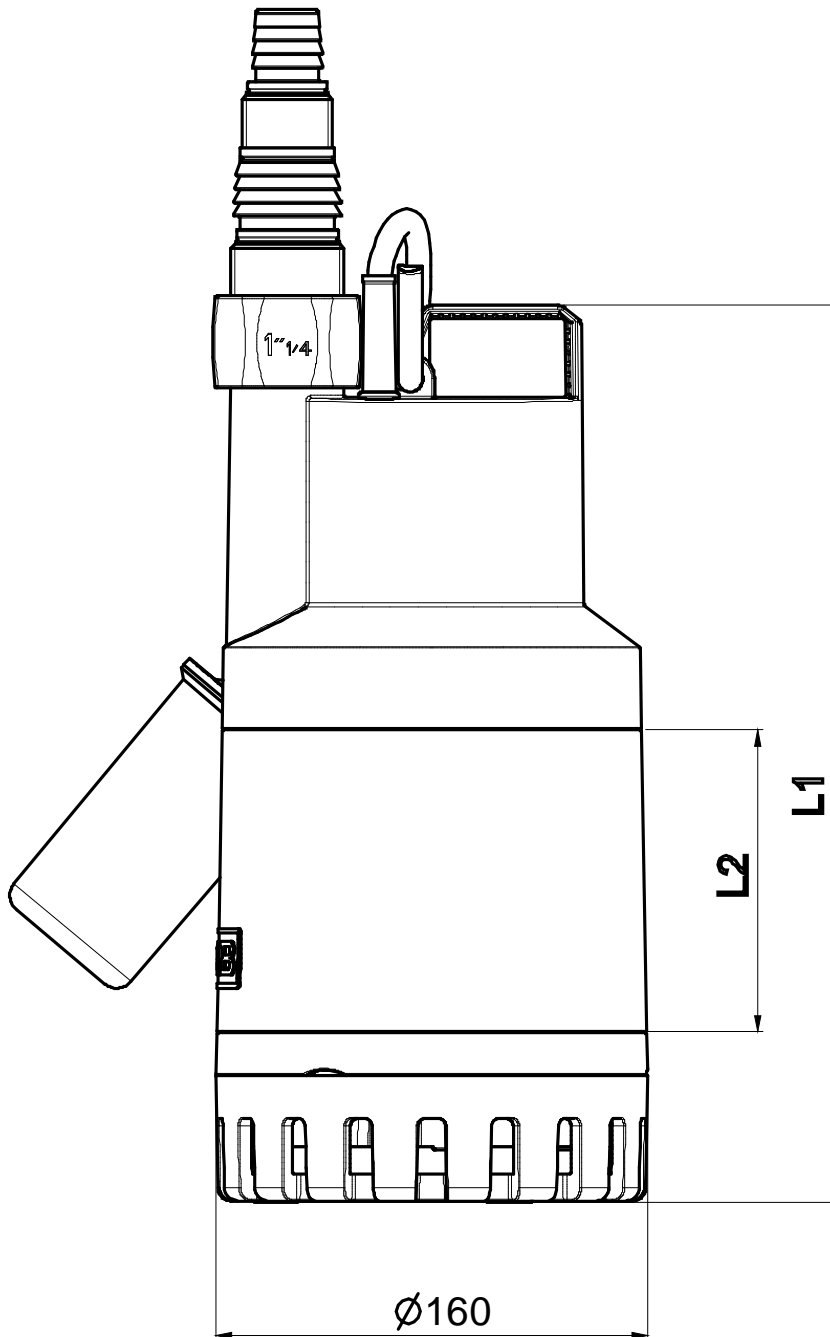
Receiver

From

Society  
Reference  
Address  
Phone  
Fax  
E-mail

DAB Pumpen GmbH  
Germes, Peter  
Tackweg 11  
02151/8213612  
02151/8213636  
peter.germes@dw tgroup.com

**NOVA UP 600 M-A**



**Dimensions in mm**

1	L1	332					
2	L2	111,6					

**Pump connection**

Suction

Discharge  
1 " 1/4 G  
--

Project

Project ID

Created by

Created on

2016-09-07