

Replacement Parts

The PRF filter comes with a 200 mesh stainless steel filter installed.

RBY-200-SS-MX	200 mesh stainless steel filter element
---------------	---

Operation Range

Flow	XCZ-075-PRF	0.2 to 5.0 gpm (0,8 to 18,9 l/m)
	XCZ-F175-PRF	3.0 to 10.0 gpm (11,3 to 37,8 l/m)
	XCZ-100-PRF	3.0 to 15.0 gpm (11,3 to 56,7 l/m)
	XCZ-F100-PRF	3.0 to 15.0 gpm (11,3 to 56,7 l/m)
Outlet Pressure	XCZ-075-PRF	Regulated at 30 psi (2,1 bar)
	XCZ-F175-PRF	
	XCZ-100-PRF	Regulated at 40 psi (2,8 bar)
	XCZ-F100-PRF	
Maximum Inlet Pressure	150 psi (10,3 bar)	
Water Temperature	33°F (0,5°C) to 110°F (43°C)	
Ambient Temperature	33°F (0,5°C) to 125°F (52°C)	
Valve Voltage	24 VAC 50/60 Hz (cycles/sec)	

Related Products

XFD-xx-xx-xxx	XF Series Dripline Available in 0.6 or 0.9 GPH at 12", 18", or 24" spacing.
---------------	--

Rain Bird Corporation

970 West Sierra Madre Avenue, Azusa, CA 91702, U.S.A.
Phone: (626) 812-3400 Fax: (626) 812-3411

Rain Bird Corporation

6991 East Southpoint Road, Tucson, AZ , 85706, U.S.A.
Phone: (520) 741-6100 Fax: (520) 741-6522

Rain Bird International, Inc.

P.O. Box 37, Glendora, CA, 91740-0037, U.S.A.
Phone: (626) 963-9311 Fax: (626) 852-7343

www.rainbird.com

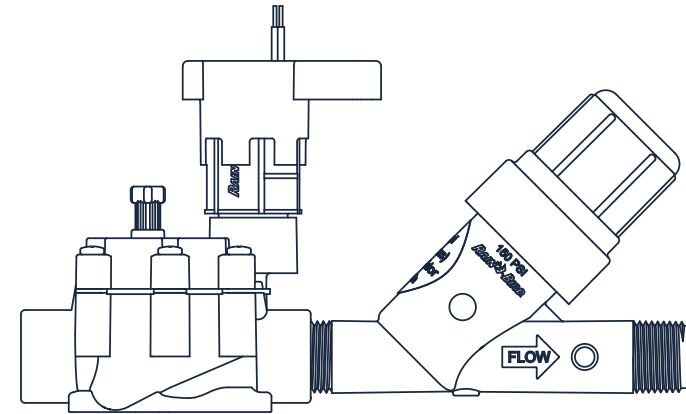
The Intelligent Use of Water™ – Visit www.rainbird.com to learn about our efforts

© Registered trademark of Rain Bird Corporation
© 2008 Rain Bird Corporation 7/08

P/N 179199
27JN17

RAIN BIRD®

Landscape Drip Control Zone Kits with Pressure-Regulating Filter



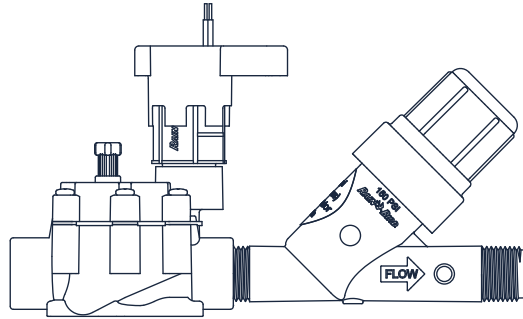
Models:

XCZ-075-PRF
XCZ-F175-PRF
XCZ-100-PRF
XCZ-F100-PRF

Installation and Operation

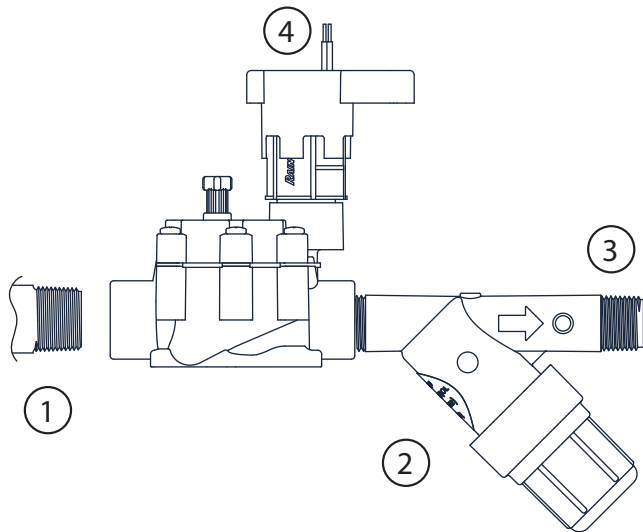
Please note: Product images shown may not accurately reflect all the models referenced in this guide.

Assembly



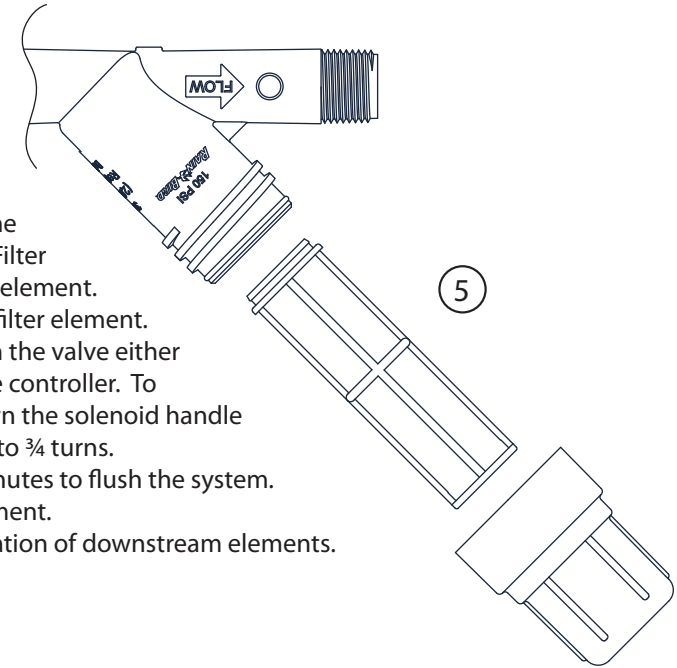
1. This Control Zone Kit comes **partially** pre-assembled. Prior to installation, rotate the filter $\frac{1}{2}$ to 1 turn into the valve to seal completely.

Installation



1. Install the valve on the water supply line.
2. Orient the Pressure-Regulating Filter down to prevent debris entering the line when the filter is removed for cleaning.
3. Do not install tubing or other downstream elements yet.
4. Connect one solenoid wire to the controller common and the other wire to the controller power. Use only water-tight connectors, such as Rain Bird ST-03.

5. Unscrew the cap of the Pressure-Regulating Filter and remove the filter element.
6. Replace cap without filter element.
7. Activate flow through the valve either manually or using the controller. To manually activate, turn the solenoid handle counter-clockwise $\frac{1}{2}$ to $\frac{3}{4}$ turns.
8. Run water several minutes to flush the system.
9. Replace the filter element.
10. Continue with installation of downstream elements.



Operation / Maintenance

1. Periodically remove the filter element.
2. If dirty, rinse the filter element in water before reinstalling.

Winterization

In a freezing climate, water should be removed from the irrigation system before freezing occurs. For more information, please refer to Rain Bird's Winterization Guide, available at www.rainbird.com.

Technical Assistance

Internet: www.rainbird.com
Toll Free: 800-247-3782

Thank you for using our products.